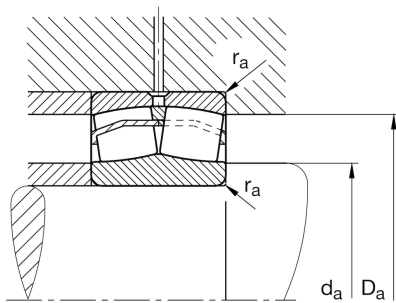
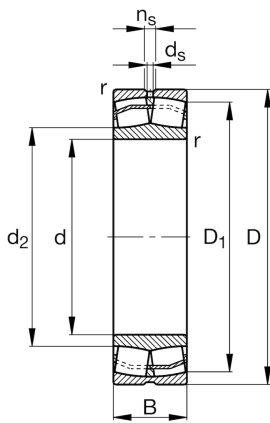


## Technical information



### Main Dimensions & Performance Data

d	45 mm	Bore diameter
D	100 mm	Outside diameter
B	36 mm	Width
$C_r$	187,000 N	Basic dynamic load rating, radial
$C_{0r}$	183,000 N	Basic static load rating, radial
$C_{ur}$	16,500 N	Fatigue load limit, radial
$n_G$	6,800 1/min	Limiting speed
$n_{gr}$	5,000 1/min	Reference speed
	1.368 kg	Weight

### Dimensions

$r_{min}$	1.5 mm	Minimum chamfer dimension
$D_1$	84.7 mm	Bore diameter outer ring
$d_2$	58.9 mm	Raceway diameter of the inner ring
$d_s$	3.2 mm	Diameter lubrication hole
$n_s$	6.5 mm	Width of lubricating groove

### Mounting dimensions

$d_{a min}$	54 mm	Minimum diameter shaft shoulder
$D_{a max}$	91 mm	Maximum diameter of housing shoulder
$r_{a max}$	1.5 mm	Maximum recess radius

### Additional information

e	0.36	Limiting value of $F_a/F_r$ for the applicability of diff. Values of factors X and Y
$Y_1$	1.9	Dynamic axial load factor
$Y_2$	2.83	Dynamic axial load factor
$Y_0$	1.86	Static axial load factor

**Temperature range**

T <sub>min</sub>	-30 °C	Operating temperature min.
T <sub>max</sub>	200 °C	Operating temperature max.